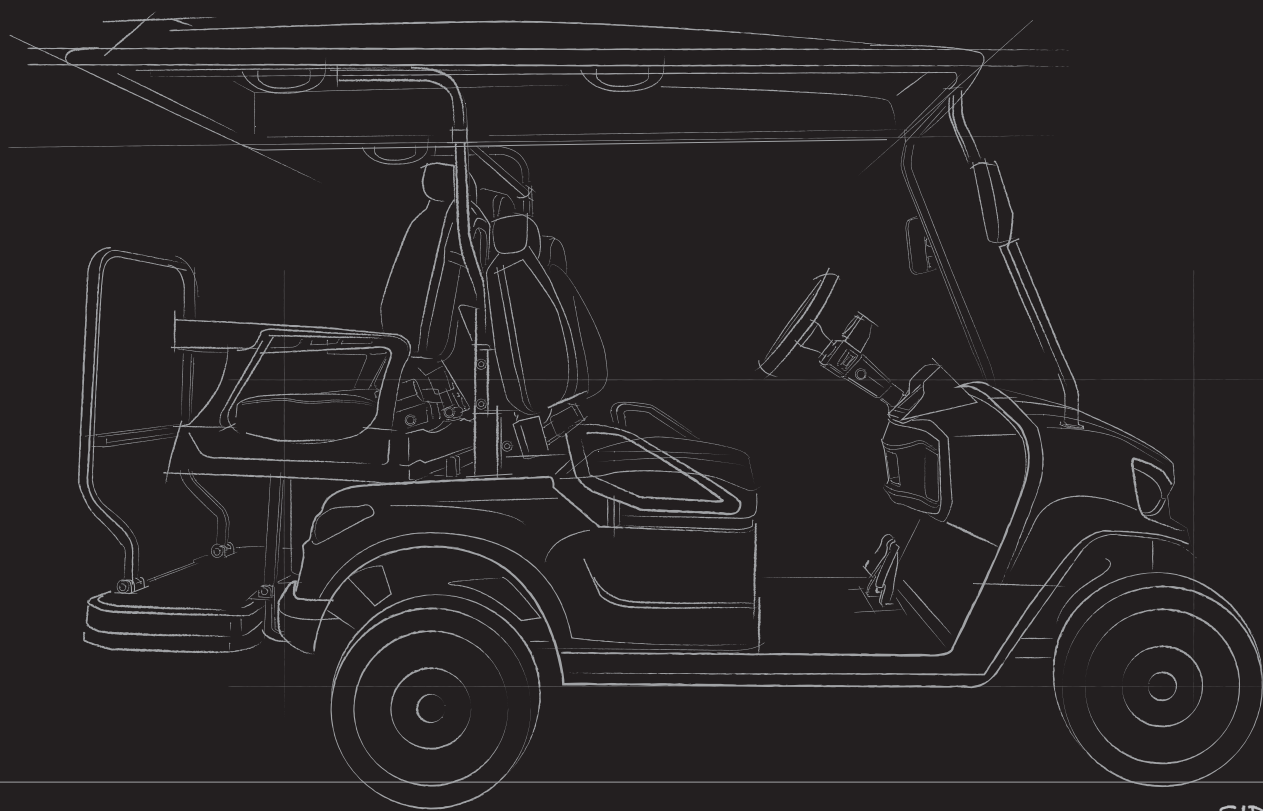


# LEGION EV



SIDE VIEW

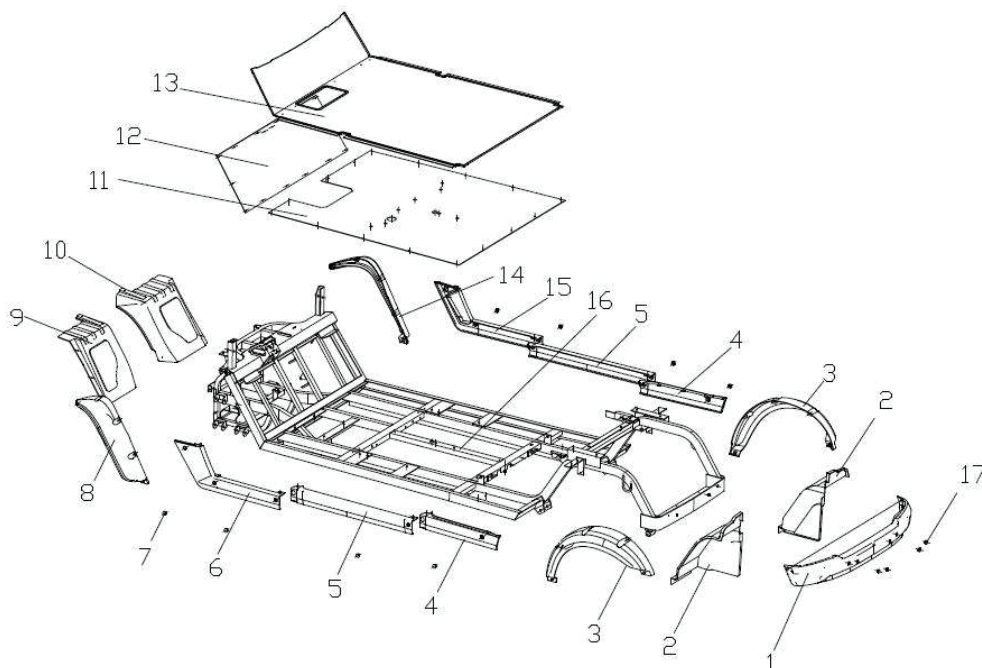
# PARTS CATALOG

## TABLE OF CONTENTS

BODY TRIM .....	2
STEERING SYSTEM .....	3
STEERING GEAR ASSEMBLY .....	4
FRONT SUSPENSION ASSEMBLY .....	5
REAR SUSPENSION ASSEMBLY - LIFTED CART .....	6
REAR SUSPENSION ASSEMBLY - LOWERED CART .....	7
REAR AXLE ASSEMBLY - LIFTED CART .....	8
REAR AXLE ASSEMBLY - LOWERED CART .....	9
TIRE ASSEMBLY .....	10
BRAKE SYSTEM .....	11
FRONT BODY COVER INSTRUMENT ASSEMBLY .....	12
REAR BODY COVER ASSEMBLY .....	13
ROOF ASSEMBLY - 2 SEATS LOWERED CART & LIFTED CART .....	14
ROOF ASSEMBLY - 2+2 SEATS LOWERED CART & LIFTED CART .....	15
ROOF ASSEMBLY - 4+2 SEATS LOWERED CART & LIFTED CART .....	16
MIDDLE SEAT BUCKET, SEAT .....	17
BACKREST ASSEMBLY .....	18
REAR CUSHION ASSEMBLY .....	19
FLIP SEAT & BACKREST ASSEMBLY - 2+2, 4+2 SEATS LOWERED CART & LIFTED CART .....	20
REAR CLOTHING BASKET ASSEMBLY - 2 SEATS LOWERED CART & LIFTED CART .....	21
REAR PEDAL ASSEMBLY - 2+2, 4+2 SEATS LOWERED CART & LIFTED CART .....	22
AC ELECTRONIC CONTROL .....	23
LITHIUM ELECTRONIC CONTROL .....	24
WIRING .....	25
LOWERED CART FRONT BUMPER .....	26
LIFTED CART FRONT BUMPER & BRUSH GUARD .....	27

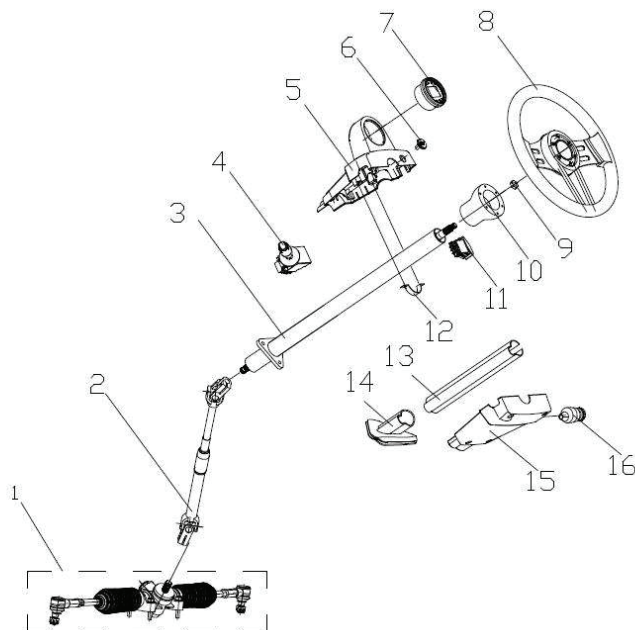
## BODY TRIM

NO.	Part Number	Description	Pieces	MSRP
1	F0102045017	Rear Bumper	1	
2	F0102045013	Rear Wheel Cover - Left	1	
		Rear Wheel Cover - Right	1	
3	F0102045025	Rear Fender Flare (Bilateral Symmetry)	2	
4	F0102045010	Rear Side Guard Plate - Left	1	
		Rear Side Guard Plate - Right	1	
5	F0102045009	Extended Side Guard Plate - Left (4 Seats)	1	
		Extended Side Guard Plate - Right (4 Seats)	1	
6	F0102049005	Front Side Guard Plate - Left	1	
7	F0102045063	Side Guard Plate Lug Cover - 2 Seats	6	
		Side Guard Plate Lug Cover - 4 Seats	8	
8	F0102049022	Left Fender Flare (Lifted Cart)	1	
9	F0103020006	Left Front Fender/Style C Lifted Cart	1	
	F0103020004	Left Front Fender/Style C Lowered Cart	1	
10	F0103020007	Right Front Fender/Style C Lifted Cart	1	
	F0103020005	Right Front Fender/Style C Lowered Cart	1	
11	F0102045502	Infrabasal Plate (2, 2+2 Seats Lowered Cart & Lifted Cart)	1	
	F0102047509	Infrabasal Plate (4, 4+2 Seats Lowered Cart, 4+2 Seats Lifted Cart)	1	
12	F0103027106	Head Board	1	
13	F0103027106	2-Seats Style C Formed Floor Leather/Colorado	1	
	F0103027107	4-Seats Style C Formed Floor Leather/Colorado	1	
14	F0102049023	Right Fender Flare (Lifted Cart)	1	
15	F0102049006	Front Side Guard Plate - Right	1	
16	F0102049900	Chassis Frame Assembly (2, 2+2 Seats Lifted Cart)	1	
	F0102049899	Chassis Frame Assembly (2, 2+2 Seats Lowered Cart)	1	
	F0102066002	Chassis Frame Assembly (4+2 Seats Lifted Cart)	1	
	F0102066001	Chassis Frame Assembly (4+2 Seats Lowered Cart)	1	
17	F0102045062	Rear Protection Cover	4	



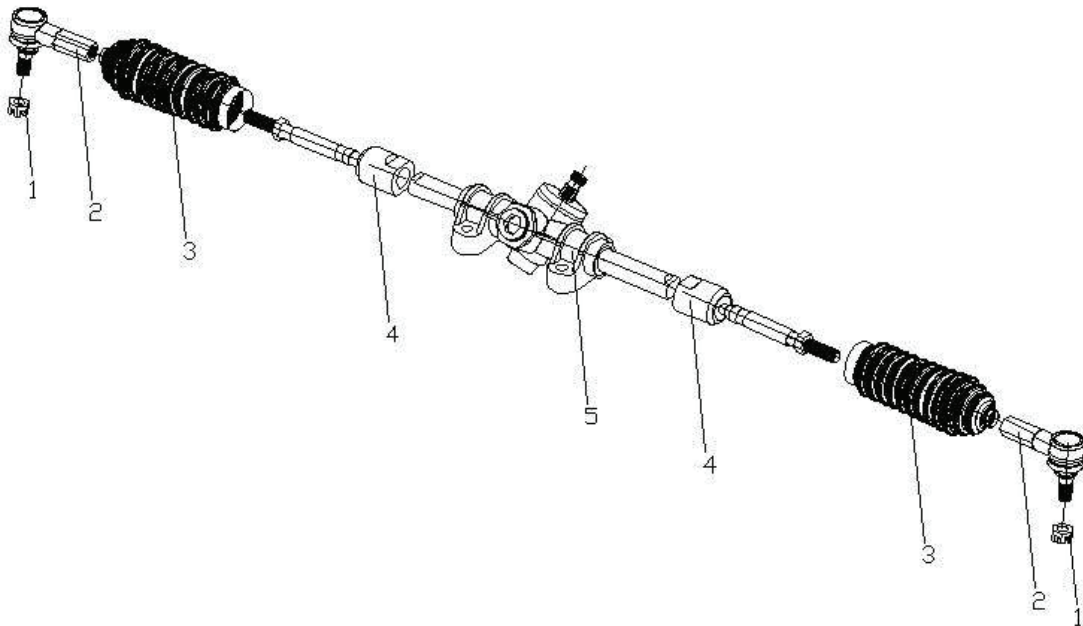
# STEERING SYSTEM

NO.	Part Number	Description	Pieces	MSRP
1	F0204003026	Extended Steering Gear Assembly (Double Wishbone Lifted Cart)	1	
	F0204003025	Steering Gear Assembly (Double Wishbone Lowered Cart)		
2	F0204004038	Lower Steering Shaft - Extended (Double Wishbone Lifted Cart)	1	
	F0204004037	Lower Steering Shaft (Double Wishbone Lifted Cart)		
3	F0204002029	Steering Column	1	
4	F0309001102	Single Arm Blinker Switch	1	
5	F0102049014	Combination Switch Hood Front	1	
6	F0307003025	Mic - Waterproof (MIC)	1	
7	F0308031089	Digital Speedometer/CAN/British system HXYB-827/1249/Lifted Cart/Lead Acid Battery	1	
	F0308031088	Digital Speedometer/CAN/British system HXYB-827/1249/Lowered Cart/Lithium Battery		
	F0308031084	Digital Speedometer/CAN/British system HXYB-827/1249/Lifted Cart/Lead Acid Battery		
	F0308031081	Digital Speedometer/CAN/British system HXYB-827/1249/Lowered Cart/Lithium Battery		
8	F0204001011.5	Steering Wheel	1	
9	Q340B16	Hexagon Flange Nut	1	
10	F0204001012	Steering Wheel Base	1	
11	F0309003009	F/R Switch	1	
12	F0203013008	Combination Switch Hoop	1	
13	F0102063044	Cover of Steering Column	1	
14	F0102049013	Steering Column Sleeve	1	
15	F0102049015	Combination Switch Cover Back	1	
16	F0309002207	Key Switch	1	



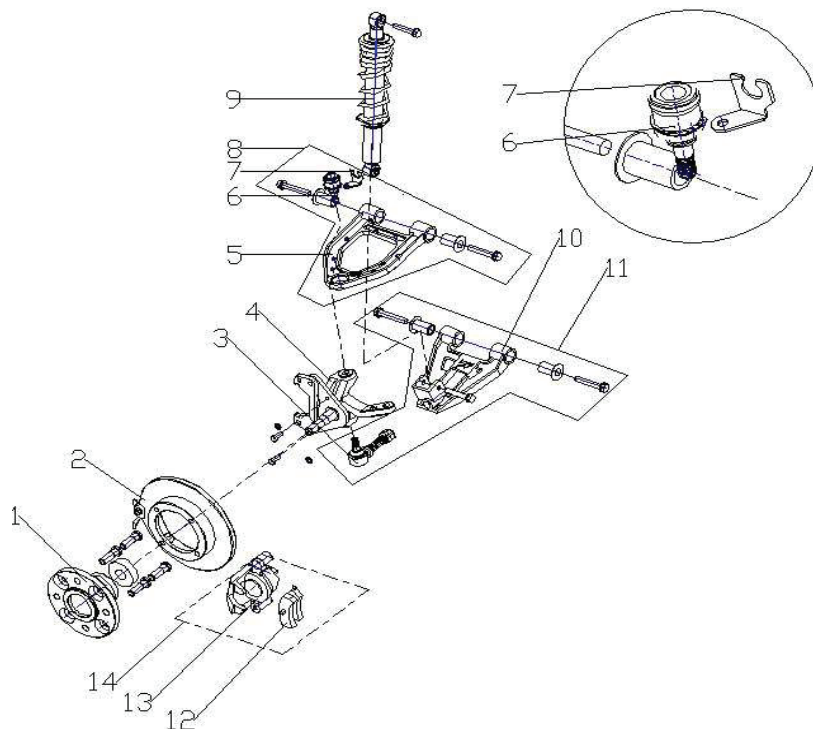
## STEERING GEAR ASSEMBLY

NO.	Part Number	Description	Pieces	MSRP
1	Q387B12	Type 1 Slotted Hex Nut	2	
2	F0204003026.1	Ball Joint (Double Wishbone Lifted Cart)	2	
	F0204003025.1	Ball Joint (Double Wishbone Lowered Cart)		
3	F0204003026.2	Dust-Proof Rubber Boot (Double Wishbone Lifted Cart)	2	
	F0204003025.2	Dust-Proof Rubber Boot (Double Wishbone Lowered Cart)		
4	F0204003026.3	Inner Ball Joint (Double Wishbone Lifted Cart)	2	
	F0204003025.3	Inner Ball Joint (Double Wishbone Lowered Cart)		
5	F0204003026.1	Steering Gear Body (Double Wishbone Lifted Cart)	1	
	F0204003025.1	Steering Gear Body (Double Wishbone Lowered Cart)		



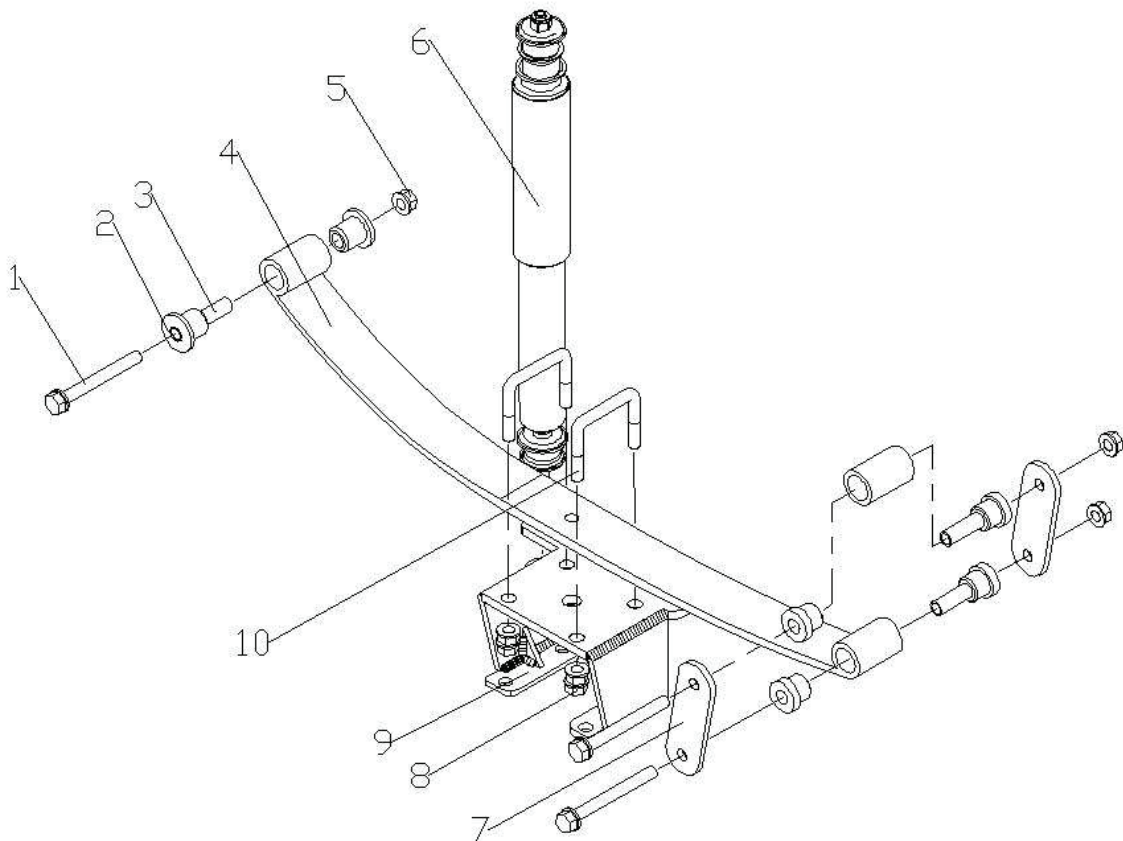
## FRONT SUSPENSION ASSEMBLY

NO.	Part Number	Description	Pieces	MSRP
1	F0201002016.3	Front Hub	2	
2	F0201002016.1	Brake Disc	2	
3	F0201013007.2	Ball Joint	2	
4	F0201011012	Right Knuckle	2	
	F0201011011	Left Knuckle	1	
5	F0201013007.8	Right Upper Arm	1	
	F0201013007.1	Left Upper Arm	1	
6	F0201013008.4	Ball Joint	2	
7	F0201013007.9	Oil Pipe Bracket - Right	1	
	F0201013007.5	Oil Pipe Bracket - Left	1	
8	F0201013007	Left Upper Arm Assembly	1	
		Right Upper Arm Assembly	1	
9	F0202006037	Front Shock Absorber Assembly (Double Wishbone Lifted Cart)	2	
	F0202006036	Front Shock Absorber Assembly (Double Wishbone Lowered Cart)	2	
10	F0201013009.1	Right Lower Arm	1	
	F0201013007.1	Left Lower Arm	1	
11	F0201013008	Left Lower Arm Assembly	1	
	F0201013009	Right Lower Arm Assembly	1	
12	F0201002017.1	Brake Shoe	2	
13	F0201002017	Right Brake Caliper Assembly	1	
	F0201002016	Left Brake Caliper Assembly	1	
14	F0201002017.1	Right Brake Caliper	1	
	F0201002016.9	Left Brake Caliper	1	



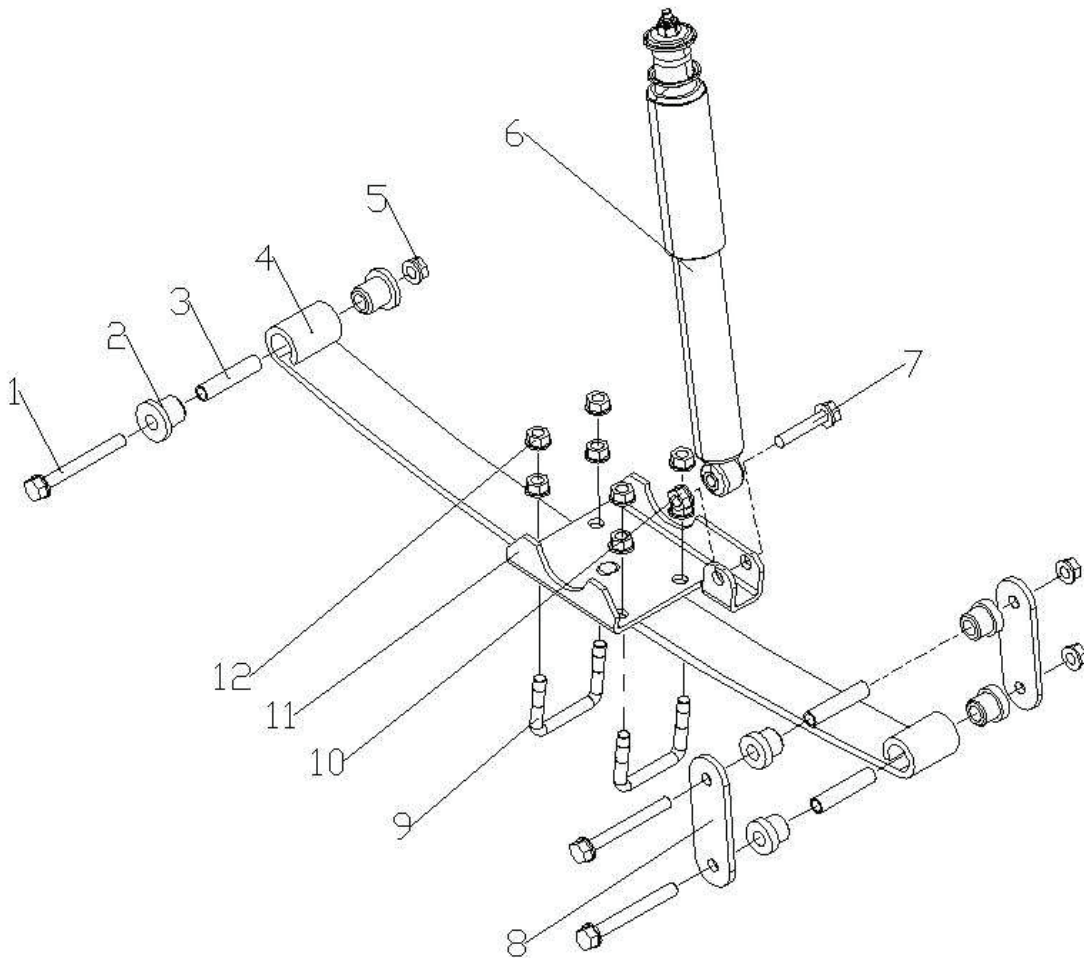
## REAR SUSPENSION ASSEMBLY - LIFTED CART

NO.	Part Number	Description	Pieces	MSRP
1	Q150B1090	Hexagon Bolt M10×90	6	
2	F0202004017	Rubber Bushing	12	
3	F0202004018	Plate Spring Steel Bushing	6	
4	F0202002013	Rear Plate Spring (2 Seats EG2041B)	2	
	F0202002011	Rear Plate Spring (More than 2 Seats EG2061B)	2	
5	Q32810	Type 1 Non-metallic Insert Hex Lock Nut M10	6	
6	F0202006035	Damper Assembly/Lifted Cart	2	
7	F0102045503	Lug Piece - Medium	4	
8	Q340B10	Hexagon Nut M10	16	
9	F0202005501	Left Plate Spring Seat	1	
		Right Plate Spring Seat	1	
10	F0202012021	U-Shaped Bolt M10	4	



## REAR SUSPENSION ASSEMBLY - LOWERED CART

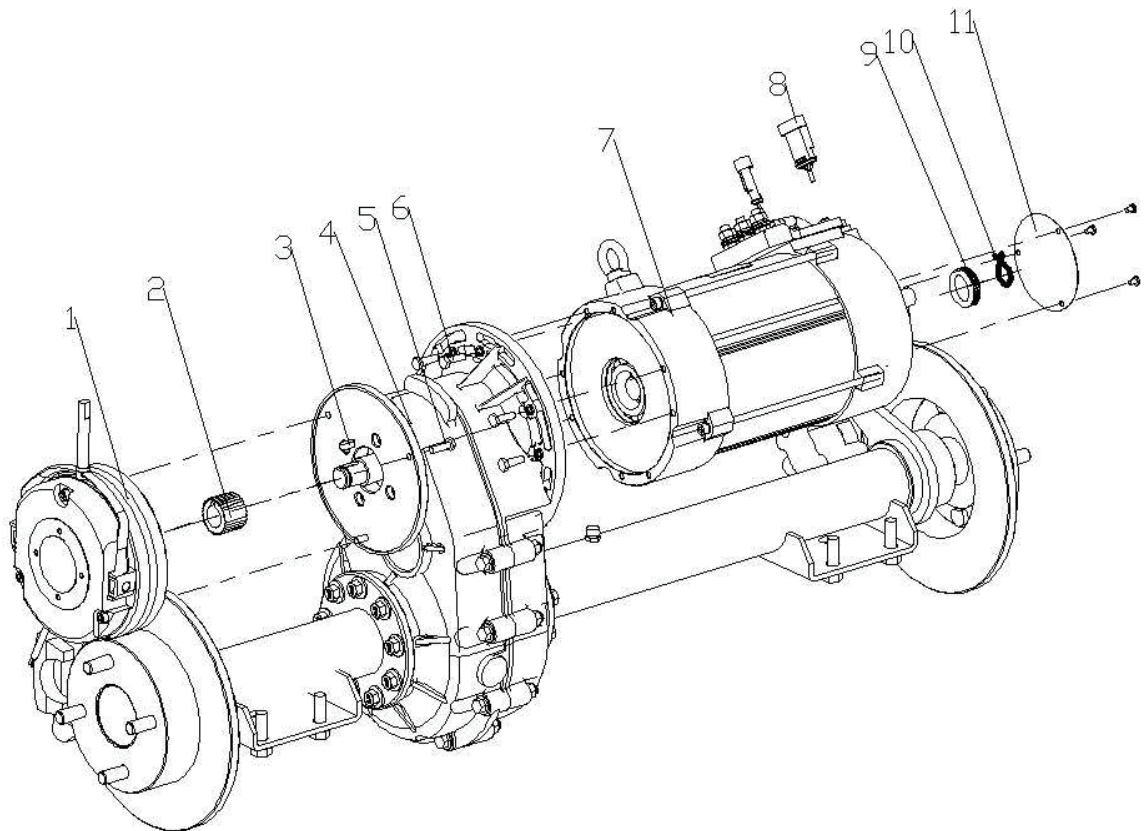
NO.	Part Number	Description	Pieces	MSRP
1	Q150B1090	Hexagon Bolt M10×90	6	
2	F0202004017	Rubber Bushing	12	
3	F0202004018	Plate Spring Steel Bushing	6	
4	F0202002011	Rear Plate Spring (More than 2 Seats EG2061B)	2	
	F0202002013	Rear Plate Spring (2 Seats EG2041B)	2	
5	Q32810	Type 1 Non-metallic Insert Hex Lock Nut M10	6	
6	F0202006034	Damper Assembly/Lowered Cart	2	
7	Q150B1050	Hexagon Bolt M10×50	2	
8	F0102045503	Lug Piece - Medium	4	
9	F0202012021	U-Shaped Bolt	4	
10	Q32010	Type 1 Non-metallic Insert Hex Lock Nut M10	2	
11	N/A	Rear Axle Part		
12	Q340B10	Hexagon Nut M10	16	





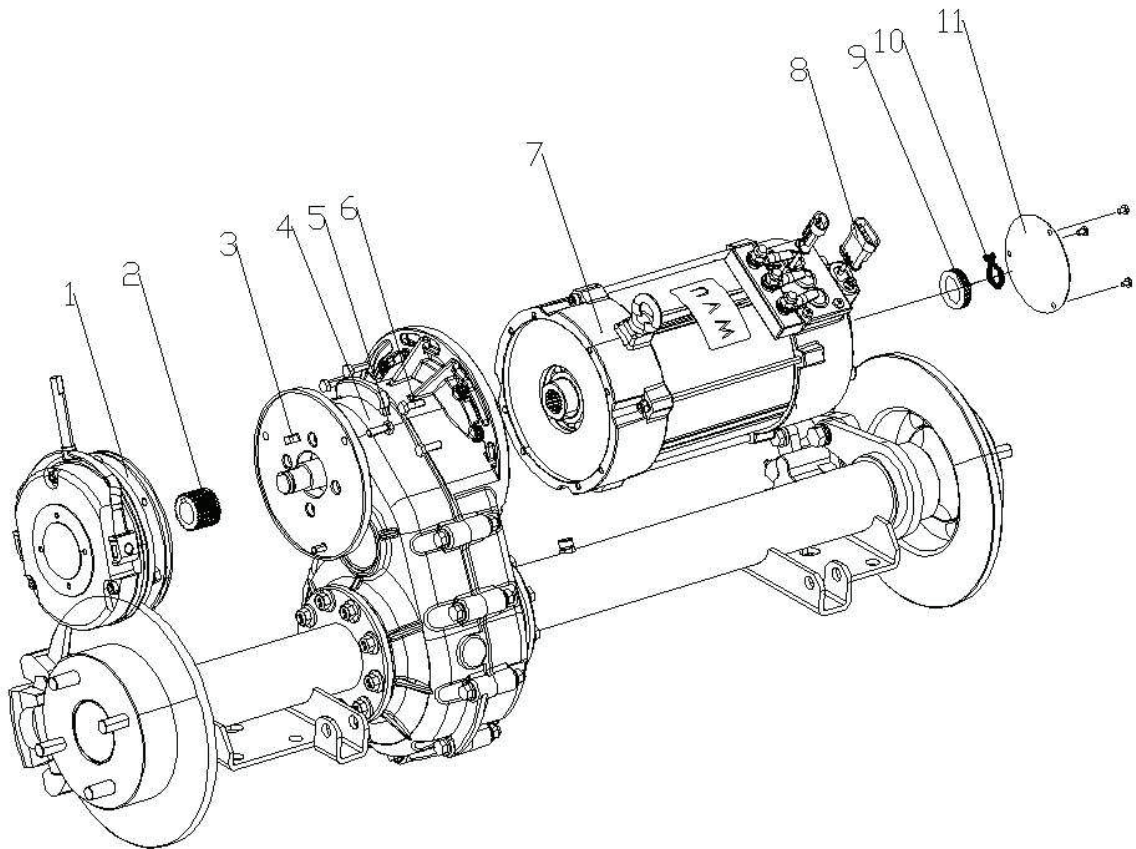
## REAR AXLE ASSEMBLY - LIFTED CART

NO.	Part Number	Description	Pieces	MSRP
1	F0201004006	Electromagnetic Brake	1	
2	F0201004006.5	Gear Sleeve	1	
3	F0201004006.7	Flat Key	1	
4	F0201003086	Rear Axle Assembly/Lifted Cart	1	
5	Q1840616	Flange Bolt M6*16	2	
6	Q1840620	Flange Bolt M6*20	6	
7	F0302002067	AC Motor	1	
8	F0302002067.5	Sensor	1	
9	F0302002067.3	Impulse Wheel	1	
10	F0302002067.2	External Circlip	1	
11	F0302002067.1	End Cap	1	



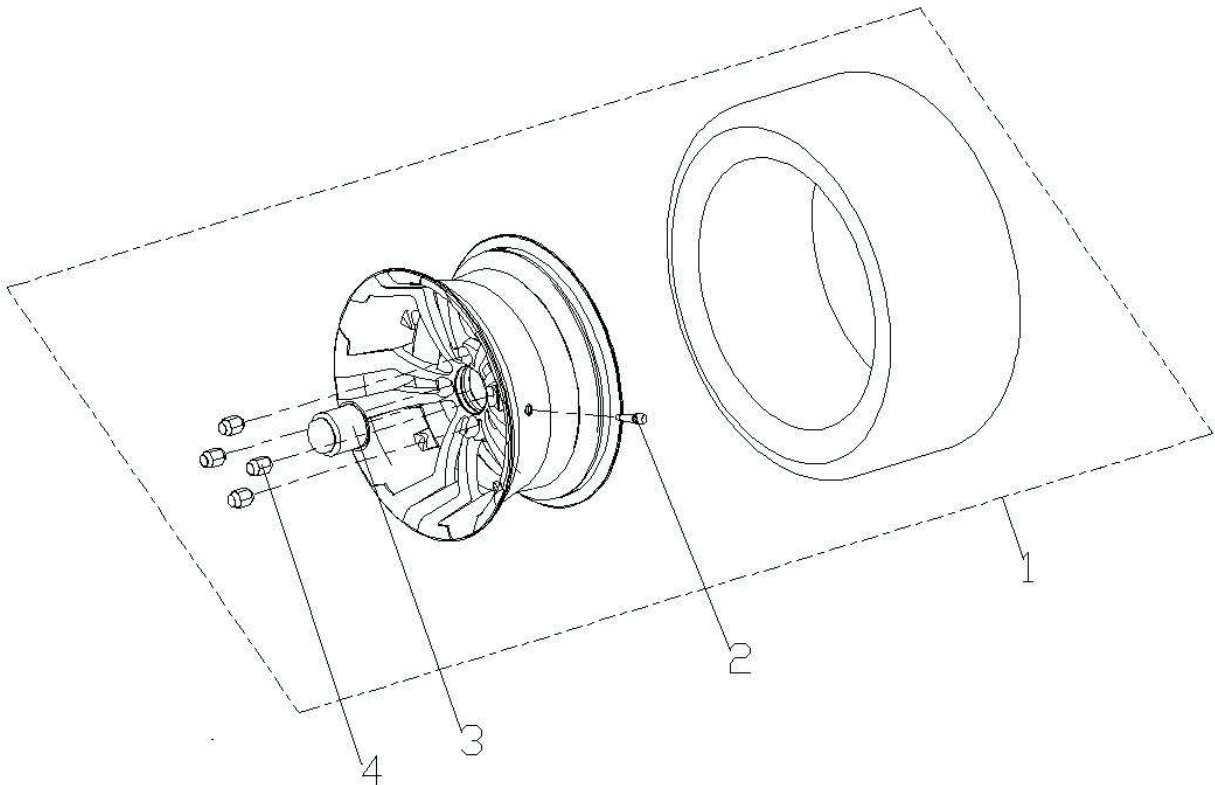
## REAR AXLE ASSEMBLY - LOWERED CART

NO.	Part Number	Description	Pieces	MSRP
1	F0201004006	Electromagnetic Brake	1	
2	F0201004006.5	Gear Sleeve	1	
3	F0201004006.7	Flat Key	1	
4	F0201003087	Rear Axle Assembly/Lowered Cart	1	
5	Q1840616	Flange Bolt M6*16	2	
6	Q1840620	Flange Bolt M6*20	6	
7	F0302002067	AC Motor	1	
8	F0302002067.5	Sensor	1	
9	F0302002067.3	Impulse Wheel	1	
10	F0302002067.2	External Cirdlip	1	
11	F0302002067.1	End Cap	1	



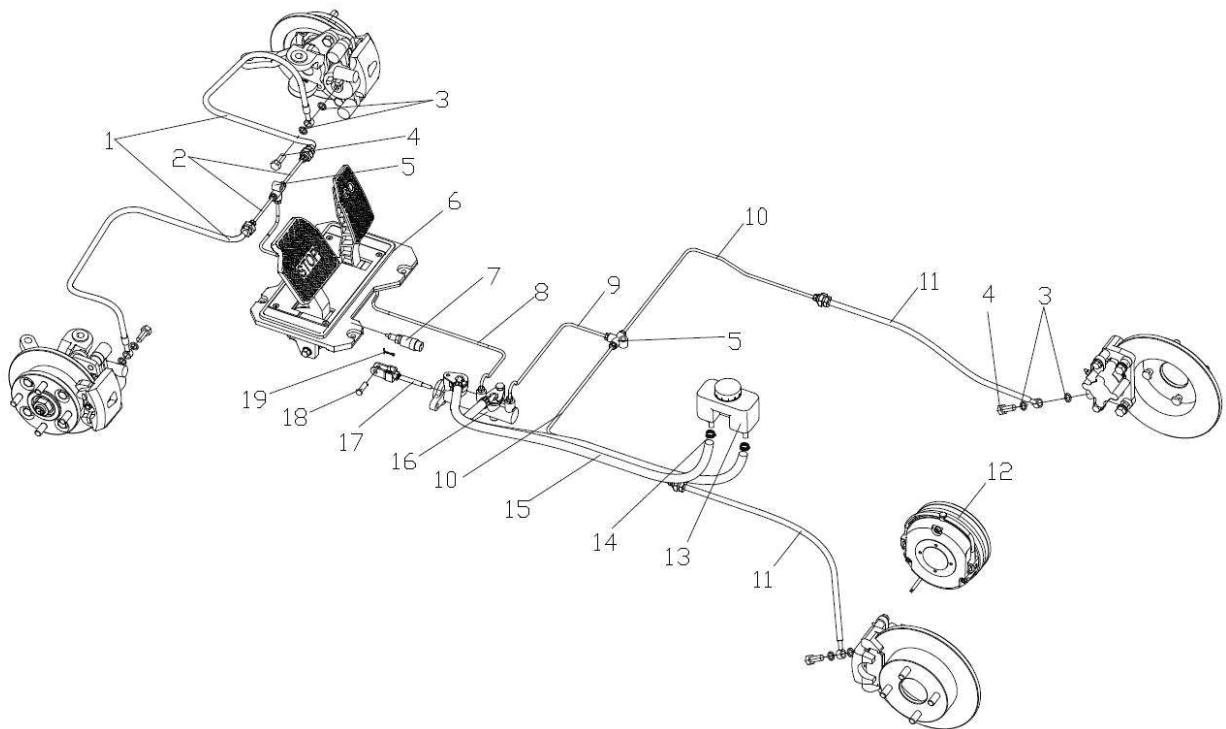
## TIRE ASSEMBLY

NO.	Part Number	Description	Pieces	MSRP
1	F0202008525	Tire Assembly/Lifted Cart	4	
		Tire: NOBARON 22*10-14/T928		
		Aluminum Ring: A1861470 14*7-4-101.6-70-Minus 25 (Linetype)		
	F0202008520	Tire Assembly/Lifted Cart	4	
		Tire: NOBARON 22*10-14/T928		
		Aluminum Ring: BNL14-10 All Black 14*7-4-101.6-Minus 25		
	F0202008524	Tire Assembly/Lowered Cart	4	
		Tire: NOBARON 215/35-14/T917		
		Aluminum Ring: A1861470 14*7-4-101.6-70-Minus 25 (Linetype)		
	F0202008522	Tire Assembly/Lowered Cart	4	
		Tire: NOBARON 215/35-14/T917		
		Aluminum Ring: BNL14-10 All Black 14*7-4-101.6-Minus 25		
2	F0202008520.3	Tire Valve	4	
3	F0202008520.4	Large Shaft End Cover	4	
4	F0199003067	Tire Nut M12	16	



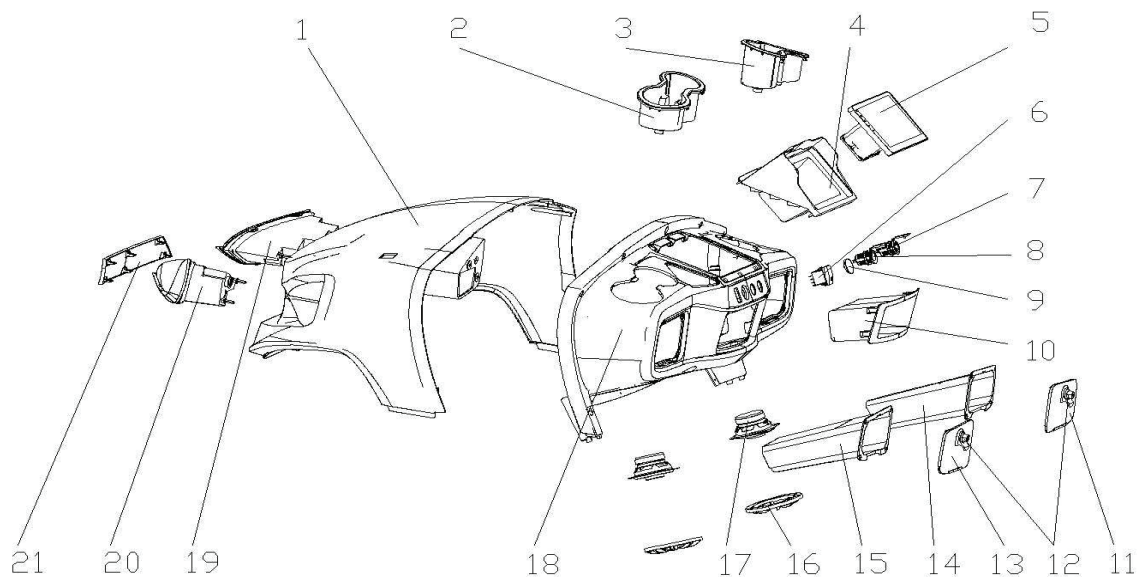
# BRAKE SYSTEM

NO.	Part Number	Description	Pieces	MSRP
1	D0901003	Brake Hose	2	
2	F0203006025	Brake Oil Pipe L=150	2	
3	Y0211045	Combination Washer	8	
4	D1901013	Hollow Bolt	4	
5	D1901015	Brake Tee	2	
6	F0303002007	Pedal Assembly	1	
7	F0309005002	Brake Light Switch (With J7021-1.5-11plug-in)	1	
8	D1408	Brake Oil Pipe L=800/Lowered Cart	1	
9	D1407	Brake Oil Pipe L=550 (2/2+2 Seats)	1	
	D1 411	Brake Oil Pipe L=1300 (4/4+2 Seats)	1	
10	L0100000342	Brake Oil Pipe L=500/Lowered Cart	2	
11	F0203007009	Brake Hose L=510	2	
12	F0201004006	Electromagnetic Brake (Equipped with Anjieli Disc Rear Axle)	1	
13	D2201005	Brake Oil Pot	1	
14	F0203003104.5	Steel Strip Elastic Hoop (Q673B12)	4	
15	N/A	Hose	2	
16	F0203003104	Brake Master Cylinder	1	
17	F0203003104.2	Brake Master Cylinder Putter	1	
18	F0203003104.3	Front Pin Of Brake Cable (Q5100825)	1	
19	F0203003104.1	Cotter Pin (Q5003220)	1	



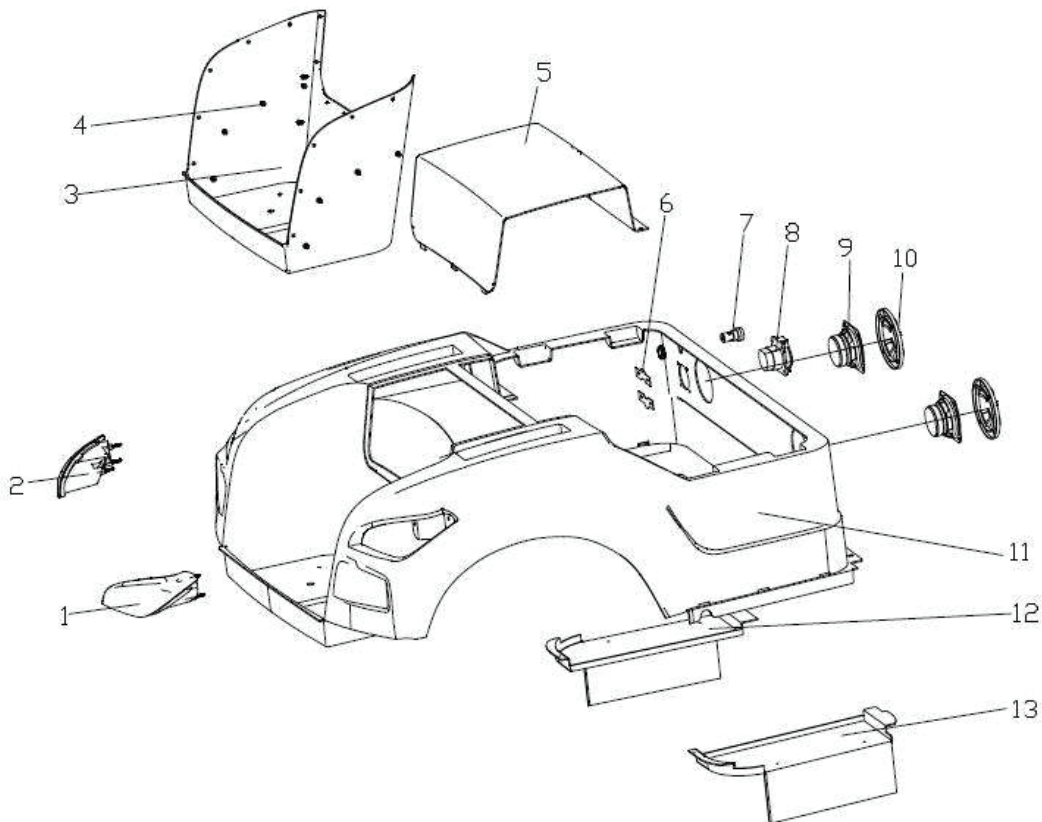
## FRONT BODY COVER INSTRUMENT ASSEMBLY

NO.	Part Number	Description	Pieces	MSRP	
1	F0102049505	Front Cover	1		
	F0102049507				Painted Part
	F0102049508				Metal Paint Part
	F0102049509				Matte Paint Part
	F0102049510				Chameleon Paint Part
2	F0102049011	Left Cup Holder	1		
3	F0102049012	Right Cup Holder	1		
4	F0102049019	LCD Screen Holder	1		
5	F0307001019	Central Control Screen	1		
6	F0309015003	Hazard Warning Lamp Switch	1		
7	F0309013049	USB Port	1		
8	F0304017005	Cigarette Lighter	1		
9	F0308034003	Car Clock	1		
10	F0102049024	Storage Box - Medium	1		
11	F0102049010	Storage Box Cover - Right	1		
12	F0103003085	Storage Cover Lock	2		
13	F0102049009	Storage Box Cover - Left	1		
14	F0102049008	Storage Box - Right	1		
15	F0102049007	Storage Box - Left	1		
16	F0307004009	Speaker Cover	2		
17	F0307003026	Speaker	2		
18	F0102049004	Dashboard	1		
19	F0102045019	Right Front Headlight	1		
20	F0102045018	Left Front Headlight	1		
21	F0102049021	Grille	1		



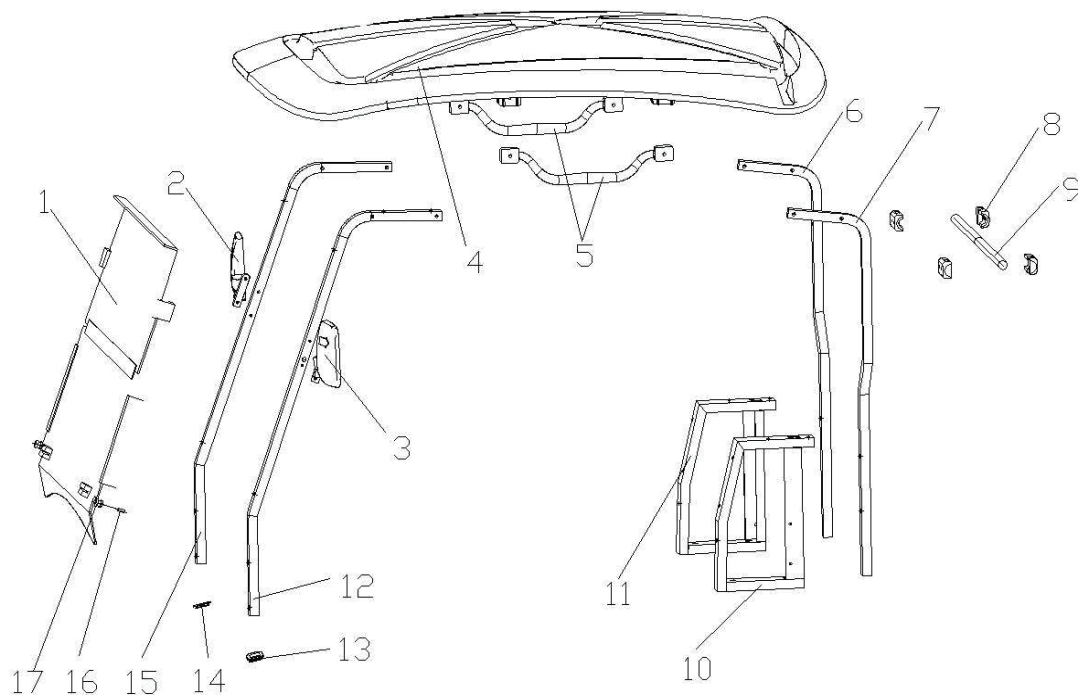
## REAR BODY COVER ASSEMBLY

NO.	Part Number	Description	Pieces	MSRP
1	F0102045021	Right Rear Taillight	1	
2	F0102045020	Left Rear Taillight	1	
3	F0102045012	Caddie Protection Pad	1	
4	F0103064016	Snap Fastener	19	
5	F0102045011	Electronic Control Access Cover	1	
6	F0301011063.2	Charging Head Fixing Bracket	2	
7	F0301011063.1	Charging Indicator Light	1	
8	F0301014026	Charing Socket/0.8 Meters	1	
9	F0307003026	Speaker	2	
10	F0307004009	Speaker Cover	2	
11	F0102045528	Rear Cover Paint Part	1	
	F0102045538	Rear Cover Metal Paint Part		
	F0102045539	Rear Cover Matte Paint Part		
	F0102045540	Rear Cover Chameleon Paint Part		
	F0102045541	Rear Cover Frosted Paint Part		
12	F0102063028	Rear Hood Water Deflector - Left	1	
13	F0102063029	Rear Hood Water Deflector - Right	1	



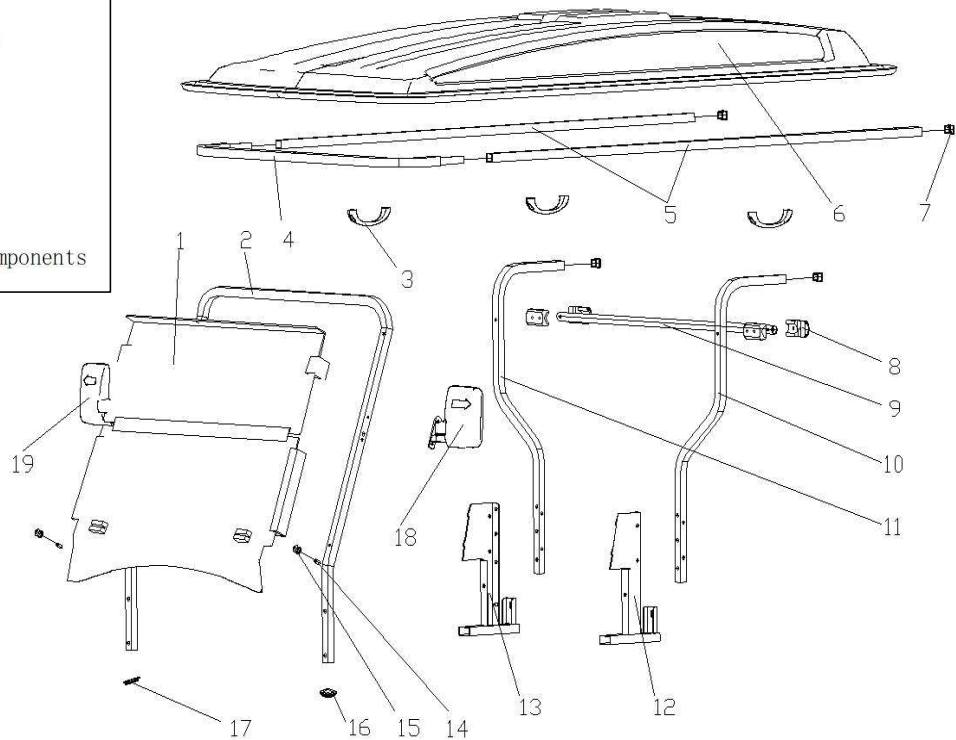
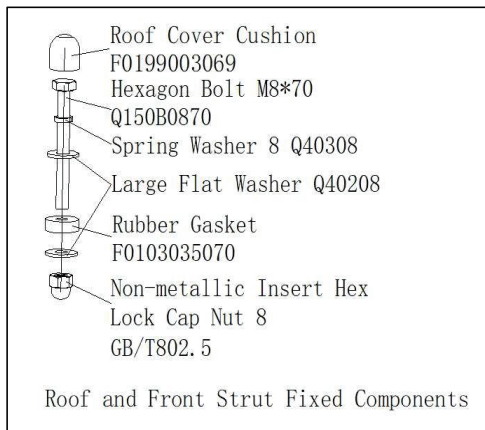
## ROOF ASSEMBLY - 2 SEATS LOWERED CART & LIFTED CART

NO.	Part Number	Description	Pieces	MSRP
1	F0103009016	Front Windshield	1	
2	F0103017038	Right Rear View Mirror	1	
3	F0103017037	Left Rear View Mirror	1	
4	F0102045015	Roof	1	Natural colour
	F0102045529			Painted Part
	F0102045542			Metal Paint Part
	F0102045543			Matte Paint Part
	F0102045544			Chameleon Paint Part
	F0102045545			Frosted Paint Part
5	F0102045023	Roof Handle	2	
6	F0102045505	Rear Strut of Roof (Right)	1	
7		Rear Strut of Roof (Left)	1	
8	F0102045064	Caddie Handle Fixing Bracket	4	
9	F0102045507	Caddie Handle	1	
10	F0102045506	Rear Back Bracket (Left)	1	
11		Rear Back Bracket (Right)	1	
12	F0102049502	Front Strut of Roof (Left)	1	
13	F0102049016	Front Pillar Rubber Pad (Left)	1	
14	F0102049017	Front Pillar Rubber Pad (Right)	1	
15	F0102049503	Front Strut of Roof (Right)	1	
16	F0103009016.1	Rubber Plug	2	
17	F0103009002.1	Rubber Plug Lining	2	



## ROOF ASSEMBLY - 2+2 SEATS LOWERED CART & LIFTED CART

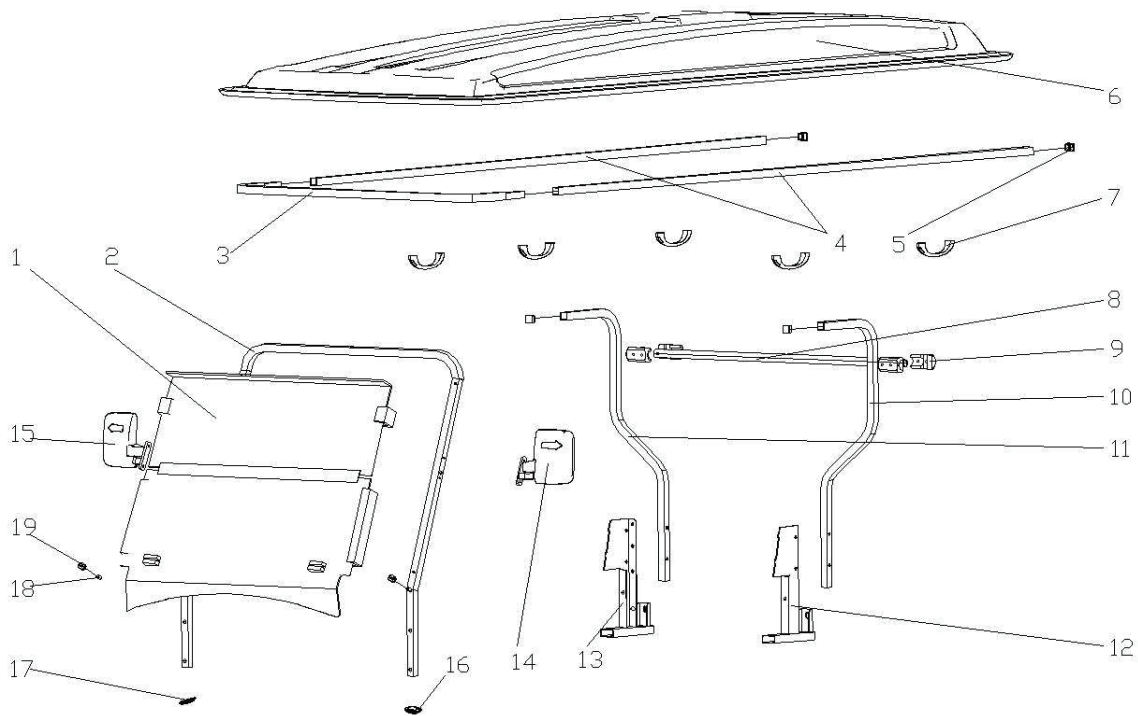
NO.	Part Number	Description	Pieces	MSRP
1	F0103009025	Front Windshield	1	
2	F0102066502	Front Strut of Roof	1	
3	F0102047007	Roof Handle	3	
4	F0102045555	F0102045555.1	U-frame-1	1
5		F0102045555.2	U-frame-2	2
6	F0103057007	Injection Molded Roof	1	
7	F0102040033	Square Tube Rubber Blanking Cap	4	
8	F0102045064	Caddie Handle Fixing Bracket	4	
9	F0102045510	Caddie Handle	1	
10	F0102045552	Rear Strut of Roof (Left)	1	
11		Rear Strut of Roof (Right)	1	
12	F0102045522	Front Backrest Bracket (Left)	1	
13	F0102045523	Front Backrest Bracket (Right)	1	
14	F0103009006.1	Rubber Plug Lining	2	
15	F0103009025.1	Rubber Plug	2	
16	F0102049016	Front Pillar Rubber Pad (Left)	1	
17	F0102049017	Front Pillar Rubber Pad (Right)	1	
18	F0103017037	Left Rear View Mirror	1	
19	F0103017038	Right Rear View Mirror	1	





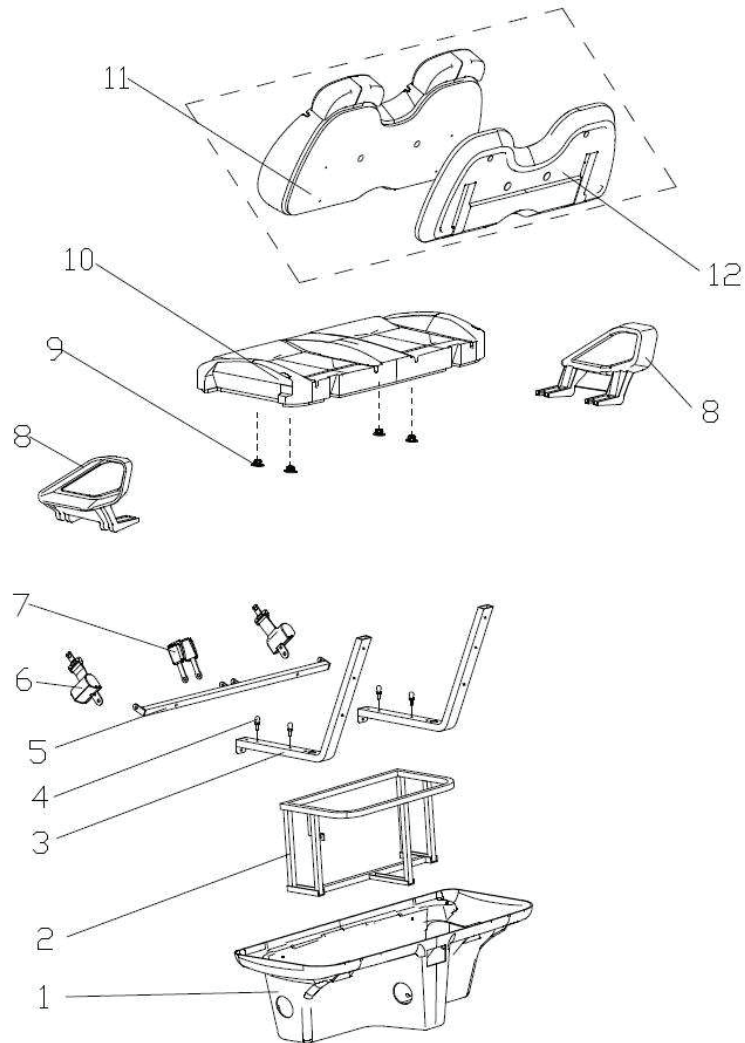
## ROOF ASSEMBLY - 4+2 SEATS LOWERED CART & LIFTED CART

NO.	Part Number	Description	Pieces	MSRP
1	F0103009025	Front Windshield	1	
2	F0102066502	Front Strut of Roof	1	
3	F0102047531	F0102047531.1	1	
4		F0102047531.2	2	
5	F0102040033	Square Tube Rubber Blanking Cap	4	
6	F0103057008	Injection Molded Roof	1	
7	F0102047007	Roof Handle	5	
8	F0102045510	Caddie Handle	1	
9	F0102045064	Caddie Handle Fixing Bracket	4	
10	F0102045552	Rear Strut of Roof (Left)	1	
11		Rear Strut of Roof (Right)	1	
12	F0102045522	Front Backrest Bracket (Left)	1	
13	F0102045523	Front Backrest Bracket (Right)	1	
14	F0103017037	Left Rear View Mirror	1	
15	F0103017038	Right Rear View Mirror	1	
16	F0102049016	Front Pillar Rubber Pad (Left)	1	
17	F0102049017	Front Pillar Rubber Pad (Right)	1	
18	F0103009006.1	Rubber Plug Lining	2	
19	F0103009025.1	Rubber Plug	2	



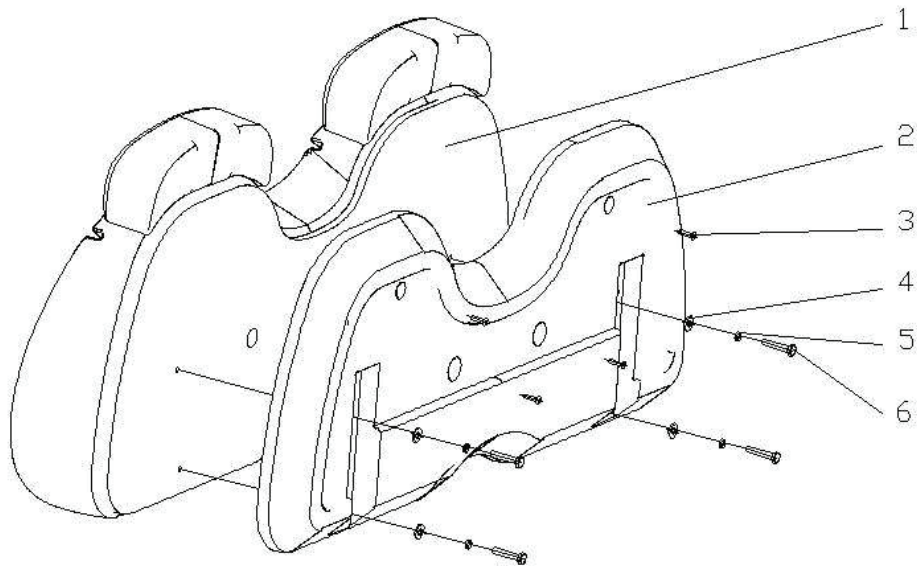
## MIDDLE SEAT BUCKET, SEAT

NO.	Part Number	Description	Pieces	MSRP
1	F0102045530	Four Seats Middle Seat Bucket	1	
2	F0102064501	Middle Seat Frame	1	
3	F0102047510	Four Seats Middle Seat Backrest Bracket	2	
4	F0103015006.1	Ball Joint	4	
5	F0102047504	Front Seat Belt Bracket	1	
6	F0103013009	Two-Point Seat Belt	2	
7	F0103013009.1	Seat Belt Buckle	2	
8	F0102045014	Armrest Left	1	
		Armrest Right	1	
9	F0103015006	Seat Plastic Buckle	4	
10	F0103014261	Cushion	1	
11	F0103014260	Backrest (Leather and Sponge)	1	
12	F0102063027	Backrest Cover (PP)	1	



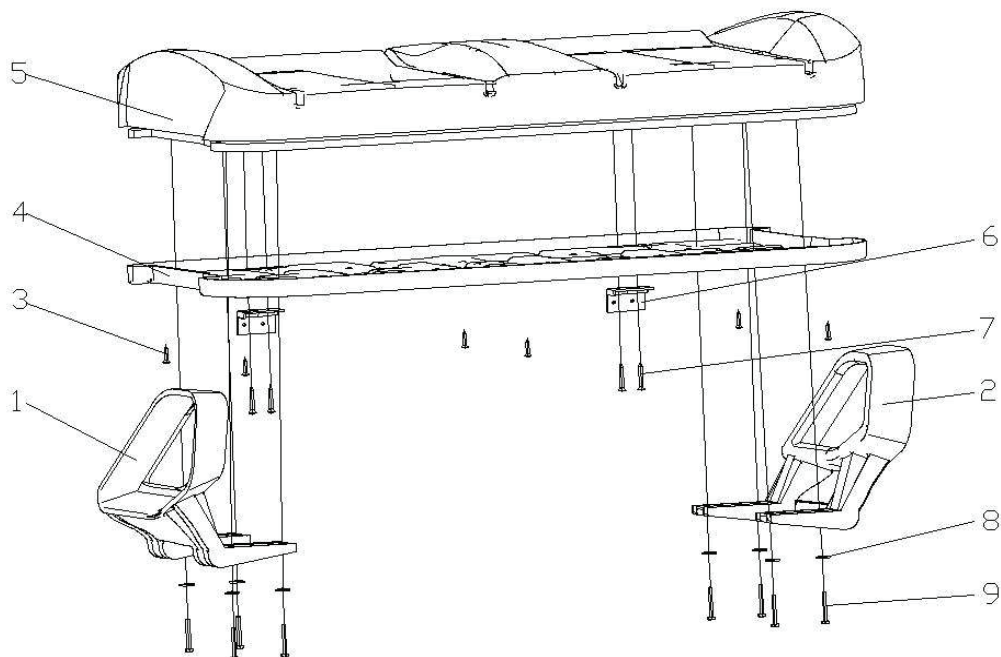
## BACKREST ASSEMBLY

NO.	Part Number	Description	Pieces	MSRP
1	F0103014260	Backrest	1	
2	F0102063027	Backrest Cover	1	
3	Q2714225	Cross Recessed Cheese Head Screw ST4.8×25	4	
4	Q40208	Large Flat Washer 6	4	
5	Q40308	Spring Washer 6	4	
6	Q150B0645	Hexagon Bolt M6×45	4	



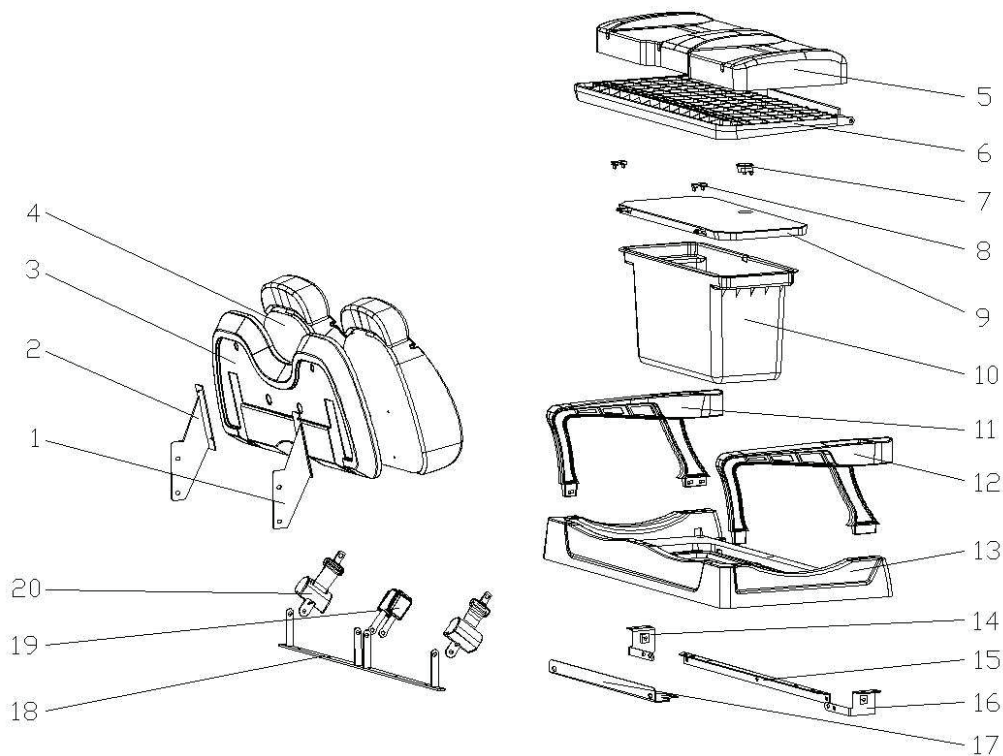
## REAR CUSHION ASSEMBLY

NO.	Part Number	Description	Pieces	MSRP
1	F0102045014	Armrest Left	1	
2		Armrest Right	1	
3	Q2714825	Cross Recessed Pan Head Tapping Screw ST4.8×25	6	
4	F0102045006	Cushion Floor	1	
5	F0103014261	Cushion	1	
6	F0103015040	Cushion Hinge	2	
7	Q2540630	Cross Flat Head Screw M6×30	4	
8	Q40206	Large Flat Washer 6	8	
9	Q2140640	Cross Recessed Pan Head Screw M6×45	8	



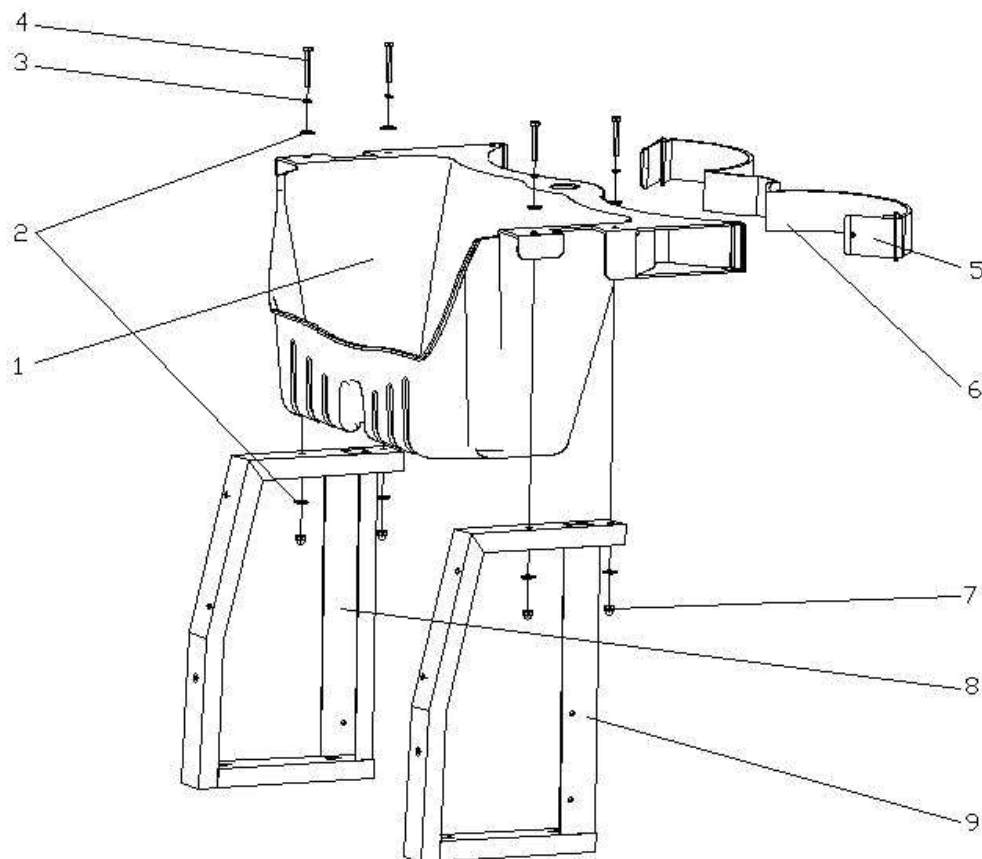
## FLIP SEAT & BACKREST ASSEMBLY - 2+2, 4+2 SEATS LOWERED CART & LIFTED CART

NO.	Part Number	Description	Pieces	MSRP
1	F0102045511	Rear Back Bracket (Left)	1	
2	F0102045512	Rear Back Bracket (Right)	1	
3	F0102063027	Bracket Cover	1	
4	F0103014260	Bracket	1	
5	F0103014262	Flip Seat Cushion	1	
6	F0102045033.3	Flip Seat Cushion Floor	1	
7	F0103035089	Lower Ice Bucket Rubber Stopper	1	
8	F0102045033.4	Flip Seat Latch	2	
9	F0102045033.5	Ice Bucket Cover Plate	1	
10	F0102045034	Ice Bucket Under Flip Seat	1	
11	F0102045033.2	Flip Seat Armrest Right	1	
12	F0102045033.1	Flip Seat Armrest Left	1	
13	F0102045033.3	Flip Seat Floor	1	
14	F0102045517	Rear Seat Frame Swivel Bracket (Right)	1	
15	F0102045515	Rear Seat Frame Rear Beam Bracket	1	
16	F0102045516	Rear Seat Frame Swivel Bracket (Left)	1	
17	F0102045518	Rear Seat Frame Rear Connection Bracket	1	
18	F0102045514	Rear Seat Frame Front Beam Bracket	1	
19	F0103013009.1	Seat Belt Buckle	2	
20	F0103013009	Two-Point Seat Belt	2	



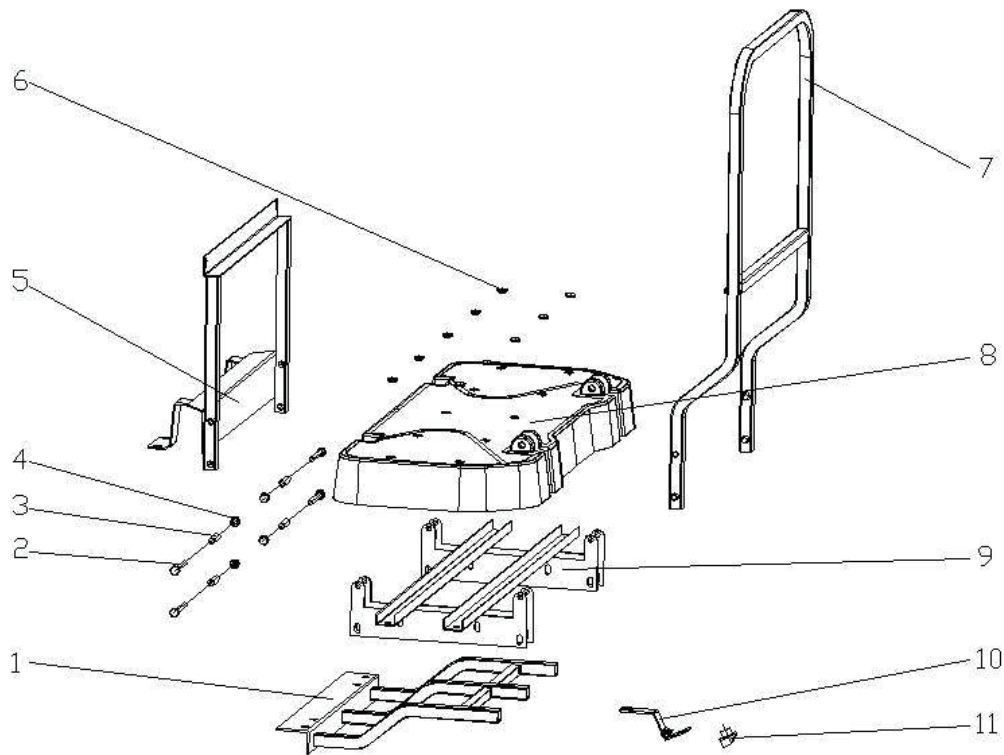
## REAR CLOTHING BASKET ASSEMBLY - 2 SEATS LOWERED CART & LIFTED CART

NO.	Part Number	Description	Pieces	MSRP
1	F0102045007	Rear Clothing Basket	1	
2	Q40208	Large Flat Washer 8	8	
3	Q40308	Spring Washer 8	4	
4	Q150B0845	Hexagon Bolt M8×45	4	
5	F0102045029	Safety Buckle	2	
6	F0102045065	Golf Bag Strap	1	
7	Q394B08	Cap Nut M8	4	
8	F0102045506	Backrest Bracket 2029 (Left)	1	
9		Backrest Bracket 2029 (Right)	1	



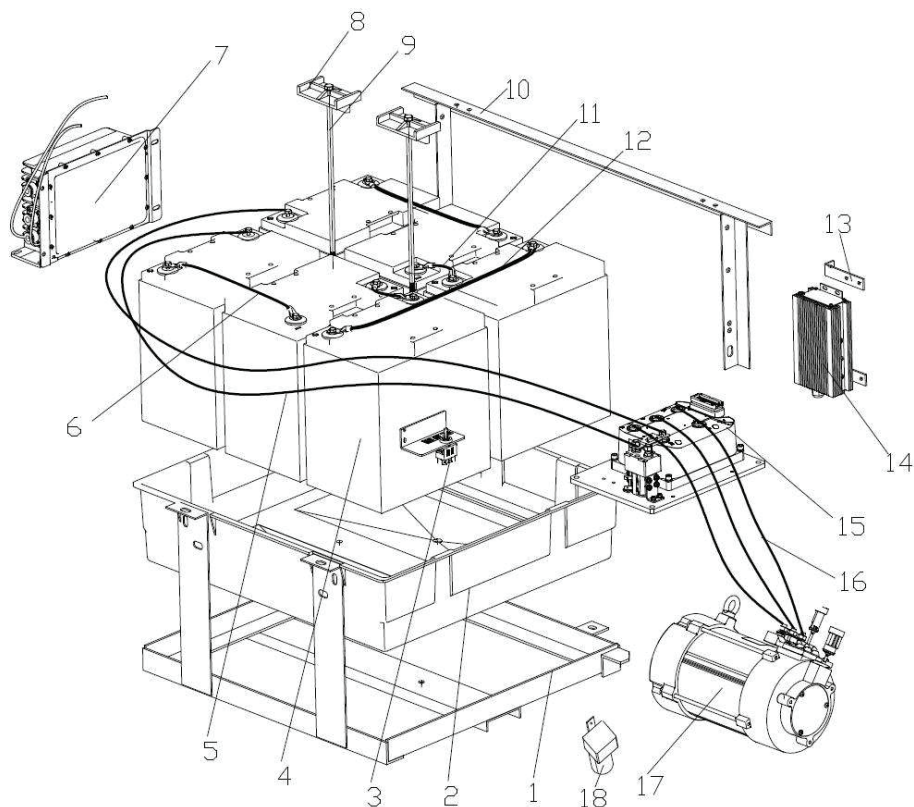
## REAR PEDAL ASSEMBLY - 2+2, 4+2 SEATS LOWERED CART & LIFTED CART

NO.	Part Number	Description	Pieces	MSRP
1	F0102045520	Rear Pedal Bracket 2	1	
2	Q150B1075	Hexagon Bolt M10×75	4	
3	Q40210	Large Flat Washer 10	4	
4	Q394B10	Cap Nut M10	4	
5	F0102045518	Rear Seat Frame Rear Connection Bracket	1	
6	F0102045033.1	Rear Station Board Cover	10	
7	F0102047530	Rear Grab Bar/License Light	1	
8	F0102045033.7	Plastic Pedal	1	
9	F0102045519	Rear Pedal Bracket 1	1	
10	F0102073017	Rear Camera Bracket	1	
11	F0102073514	Rear Camera	1	



## AC ELECTRONIC CONTROL

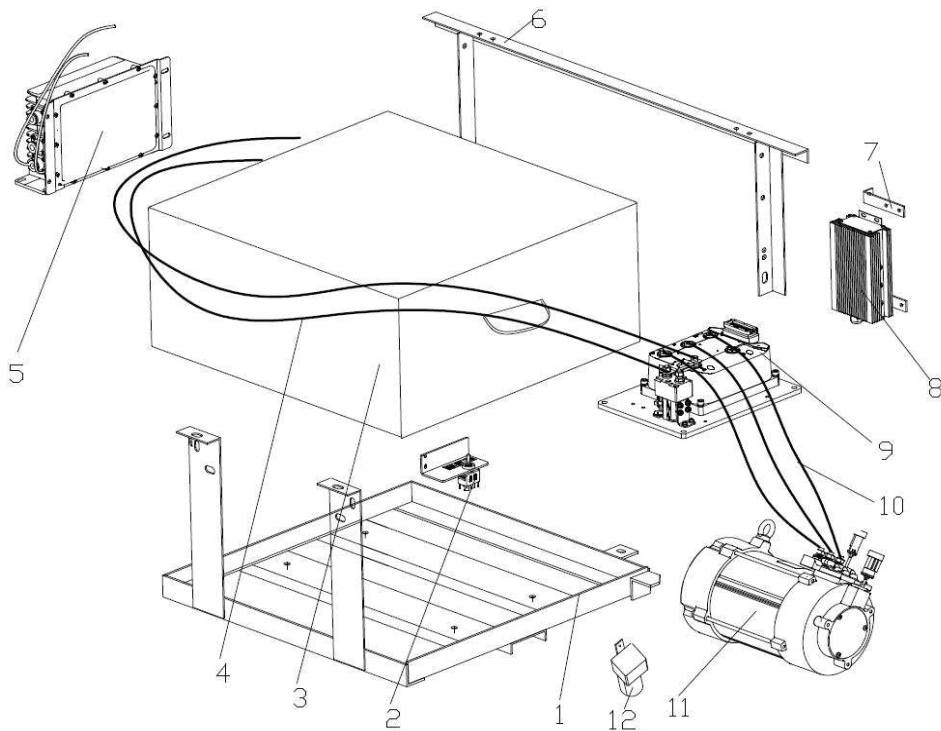
NO.	Part Number	Description	Pieces	MSRP
1	F0102045501	Battery Frame	1	
2	F0102045036	6P Battery Box	1	
3	F0309002208	Button Switch with Wiring Harness		
4	F0301001031	Maintenance-Free Battery	6	
5	F0304002196.1	Power Line Assembly 1	2	
6	F0304002196.4	Power Line Assembly 4	2	
7	F0301011063	On-board Charger	1	
8	L0300000093	Battery Platen	2	
9	D1901003	Battery Pull Rod/L315	2	
10	F0102047503	Seat Bucket Bracket	1	
11	F0304002196.3	Power Line Assembly 3	2	
12	F0304002196.2	Power Line Assembly 2	1	
13	F0102047525	DC Mounting Bracket	2	
14	F0304004037	DC-Converter	1	
15	F0302012098	AC Electronic Control/Lifted Cart/Lead Acid Battery/CAN	1	
	F0302012092	AC Electronic Control/Lowered Cart/Lead Acid Battery/CAN		
16	F0304002196.5	Power Line Assembly 5	3	
17	F0302002067	Motor (YDQ5-4-13580)	1	
18	F0304009003	Reverse Alarm	1	





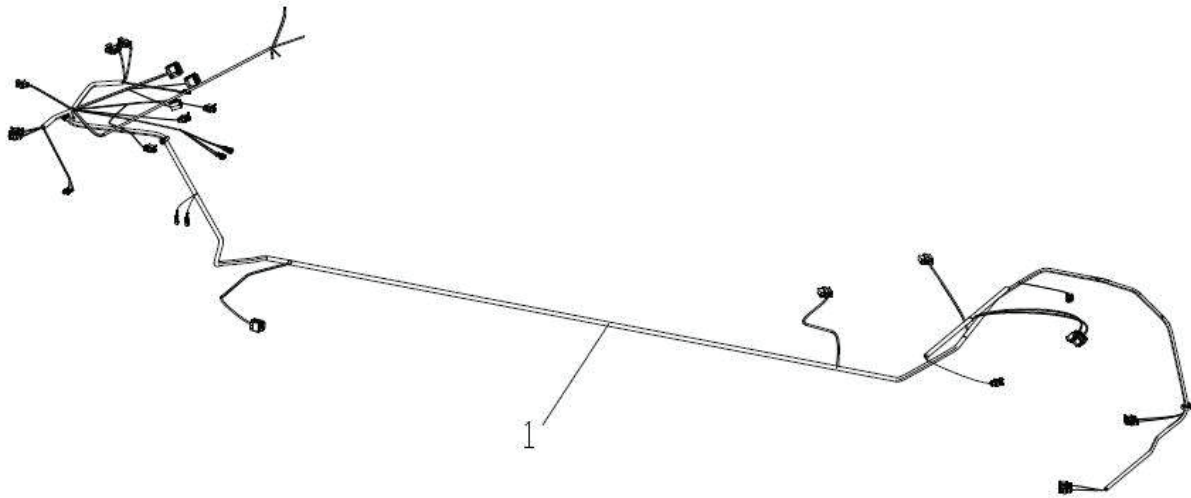
## LITHIUM ELECTRONIC CONTROL

NO.	Part Number	Description	Pieces	MSRP
1	F0102045501	Battery Frame	1	
2	F0309002208	Button Switch With Wiring Harness	1	
3	N/A	Lithium Battery	1	
4	F0304002198.1	Power Line Assembly 1	2	
5	F0301013053	Lithium Iron Phosphate Battery Charger/48V20A	1	
6	F0102047503	Seat Bucket Bracket	1	
7	F0102047525	DC Mounting Bracket	2	
8	F0304004038	DC-Converter	1	
9	F0302012099	Lithium Electronic Control/Lifted Cart/Lithium Battery/CAN	1	
	F0302012097	Lithium Electronic Control/Lowered Cart/Lithium Battery/CAN		
10	F0304002198.2	Power Line Assembly 5	3	
11	F0302002067	Motor (YDQ5-4-13580)	1	
12	F0304009003	Reverse Alarm	1	



## WIRING

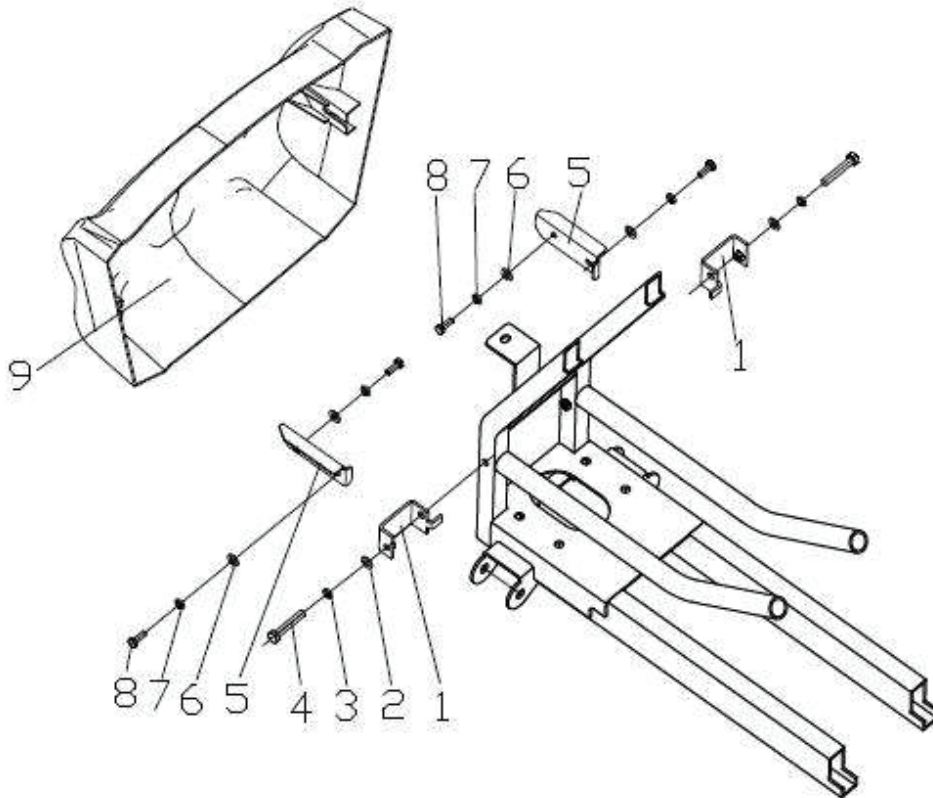
NO.	Part Number	Description	Pieces	MSRP
1	F0304001434	Lead Acid Battery Harness (Lead Acid Battery; 2 Seats, 2+2 Seats)	1	
	F0304001433	Lead Acid Battery Harness (Lead Acid Battery; 4 Seats, 4+2 Seats)		
	F0304001440	Lithium Battery Harness (Lithium Battery; 2 Seats, 2+2 Seats)		
	F0304001439	Lithium Battery Harness (Lithium Battery; 4 Seats, 4+2 Seats)		



## LOWERED CART FRONT BUMPER

NO.	Part Number	Description	Pieces	MSRP
1	F0102066503	C to G Lowered Cart Front Bumper Mounting Bracket (Bilateral Symmetry)	2	
2	Q40108	Flat Washer 8	2	
3	Q40308	Spring Washer 8	2	
4	Q150B0845	Hexagon Bolt M8×45	2	
5	F0102073508	Front Bumper Bracket (Bilateral Symmetry)	2	
6	Q40106	Flat Washer 6	4	
7	Q40306	Spring Washer 6	4	
8	Q150B0620	Hexagon Bolt M6×20	4	
9	F0102073002	Front Bumper	1	

+



## LIFTED CART FRONT BUMPER & BRUSH GUARD

NO.	Part Number	Description	Pieces	MSRP
1	F0102066504	C to G Lifted Cart Front Bumper Mounting Bracket (Bilateral Symmetry)	2	
2	Q40108	Flat Washer 8	6	
3	Q40308	Spring Washer 8	6	
4	Q150B0845	Hexagon Bolt M8×45	4	
5	F0102073508	Front Bumper Bracket (Bilateral Symmetry)	2	
6	Q40106	Flat Washer 6	4	
7	Q40306	Spring Washer 6	4	
8	Q150B0620	Hexagon Bolt M6×20	4	
9	F0102049504	Brush Guard	1	
10	Q150B0830	Hexagon Bolt M8×30	2	
11	F0102073002	Front Bumper	1	

